

The instructions below are guidelines for installation of Allanson's Skyline Flexible Border Tubing. Installation requirements may vary depending on the application.

Read the instructions completely and carefully and follow all National Electric Codes and local codes.

WARNING: Only qualified personnel should perform installation.

To avoid electrical shock or component damage, disconnect the power before installation, service, or removal.

Power Supplies Loading

Flexible Border Tube	Power Supply Part Number	Output Watts	Input Voltage	Output Volts DC	Max. Capacity
24 Volts DC Output					
Standard Colors	CVW243-MV	72W	120-277	24	14' 9" (4.5 m)
Standard Colors	CV244-120-277	96W	120-277	24	19' 8" (6 m)
12 Volts DC Output					
RGB	CV125-120	60W	120	12	16' 4" (5 m)
RGB	CV125-120-277	60W	120-277	12	16' 4" (5 m)
RGB	CVL2125-120-277	120W (60 + 60)	120-277	12	16' 4" (5 m) + 16' 4" (5m)
RGB	CVL3125-120-277	180W (60 + 60 + 60)	120-277	12	16' 4" (5 m) + 16' 4" (5m) + 16' 4" (5m)
RGB	CVW125-MV	60W	120-277	12	16' 4" (5 m)

Product Handling

- 1) Do not bend past the minimum diameter (80mm/3.15") to avoid damage to internal components of the product (Fig.1). Colored stripe side of product should face exterior of bend (Fig. 1)
- 2) Do not bend directly into 90° (Fig. 2)
- 3) Do not bend the product in the direction shown (Fig. 3 and Fig. 4)
- 4) Do not twist the product (Fig. 5)
- 5) Do not pull excessively on the connection wire. This can damage the connections inside the product
- 6) Ensure the proper Class 2 Allanson power supply is being used. Please reference the power supply loading chart above
- 7) To minimize the voltage drop and maintain light consistency, minimize the length of wires between power supply and the product. Minimum 18GA is required.

Distance to Allanson Power Supply	Stranded Copper Wire Gauge	Expected Voltage Drop
13 Feet	16 AWG	5%
20 Feet	14 AWG	5%
30 Feet	12 AWG	5%

Note: All darker shades in images below represent the luminescent surface.

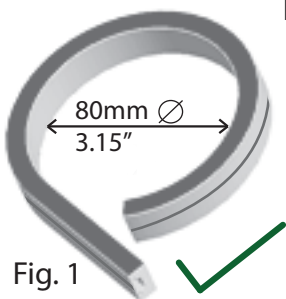


Fig. 1

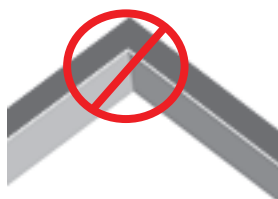


Fig. 2



Fig. 3

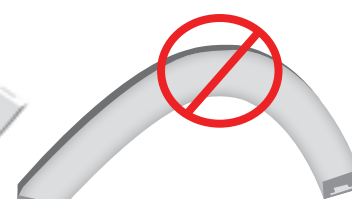


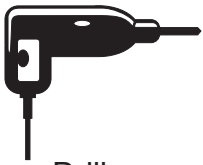
Fig. 4



Fig. 5

Tools and Mounting Hardware

Installation tools and mounting hardware required are subject to applications. Tools might include the following:



Drill



Level



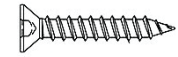
Tape Measure



Chalk Line



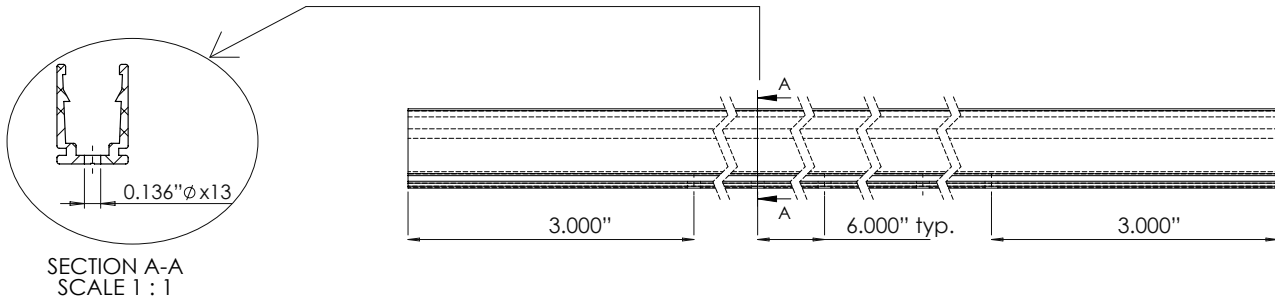
Pan head Screw
(for outdoor application)



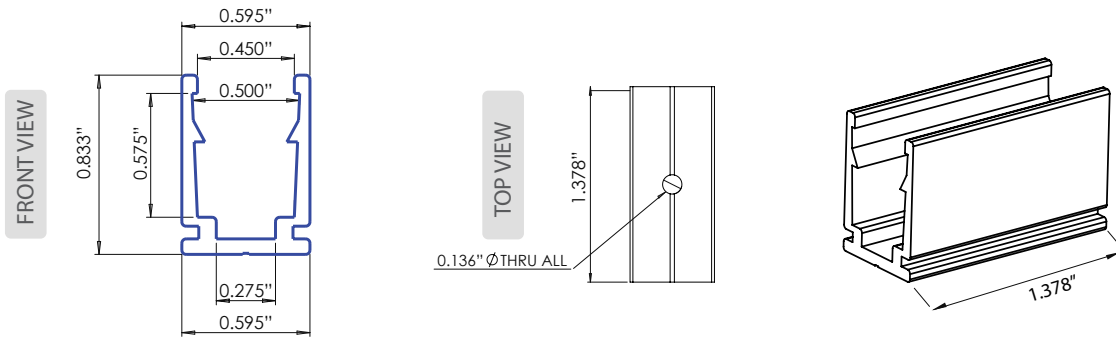
Countersink Screw
(for indoor application)

Mounting Accessory Options:

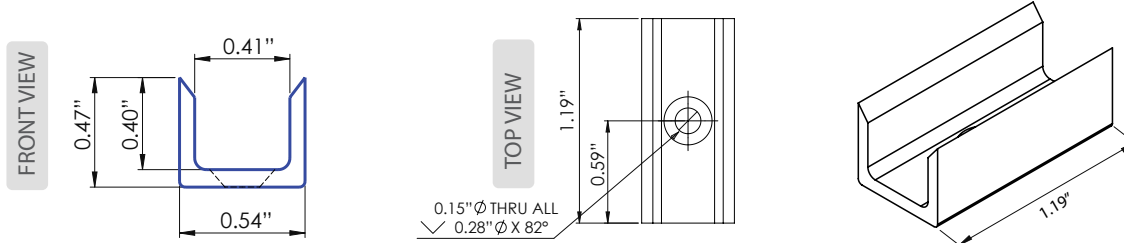
Self-locking aluminum extrusion (6.5 ft length) (part number 07-967):



Self-locking aluminum mounting clip for outdoor application (part number 07-968):

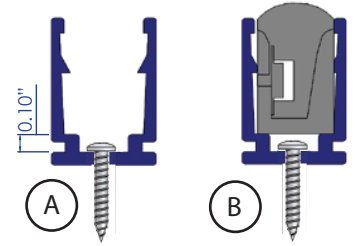


Plastic mounting clip for indoor application (part number 07-969):

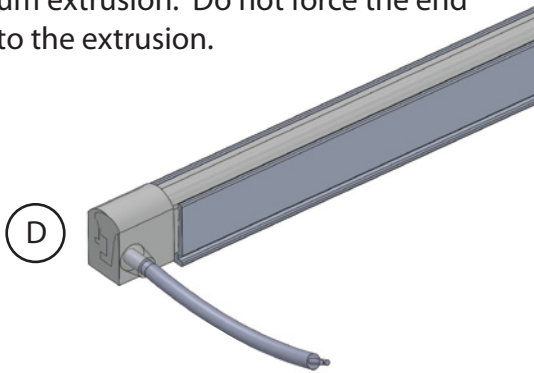


1. Straight run mounting installation:

- A. Securely mount the self-locking aluminum extrusion with appropriate fasteners
- B. Ensure the fastener head is flush with the lower base of the aluminum extrusion
- C. Confirm measurements before inserting the product into the self-locking aluminum extrusion. Removing the product after insertion will result in damage to the product.
- D. Extend a minimum 1 inch (25.4 mm) of tubing on both ends from the self-locking aluminum extrusion. Do not force the end caps into the extrusion.

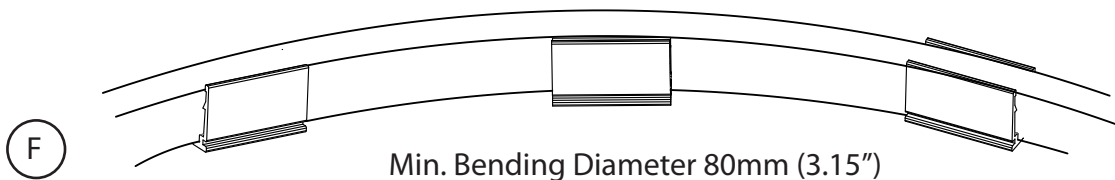
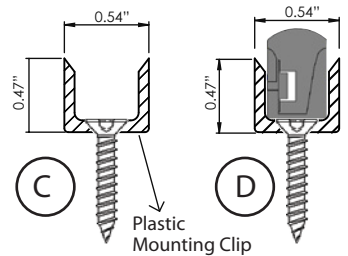
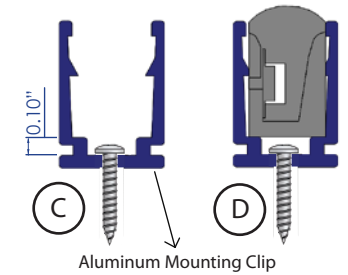


- E. Insert the product starting from one end and continue to the other to avoid buckling in the middle.



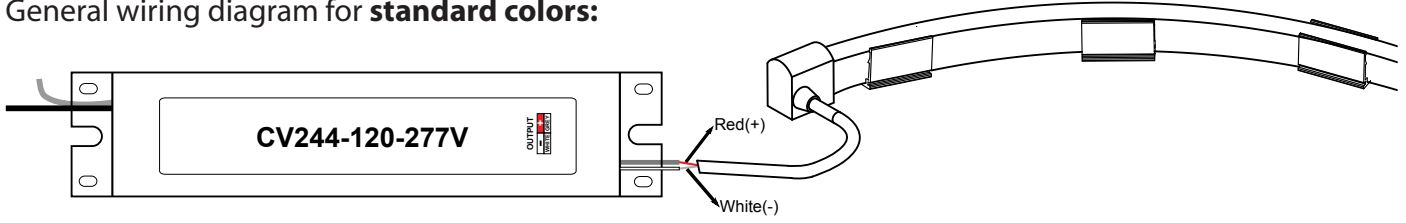
2. Free form shapes and letters mounting installation:

- A. Use self-locking aluminum mounting clips for outdoor application
- B. Use plastic mounting clips for indoor application
- C. Secure mounting clips using appropriate fasteners
- D. Ensure the fastener head is flush with the lower base of the mounting clips
- E. Confirm measurements before inserting the product into the self-locking aluminum mounting clips. Removing the product after insertion will result in damage to the product.
- F. Insert the flexible border tubing into the mounting clips. The number of clips and distance between them will be determined by each specific application.



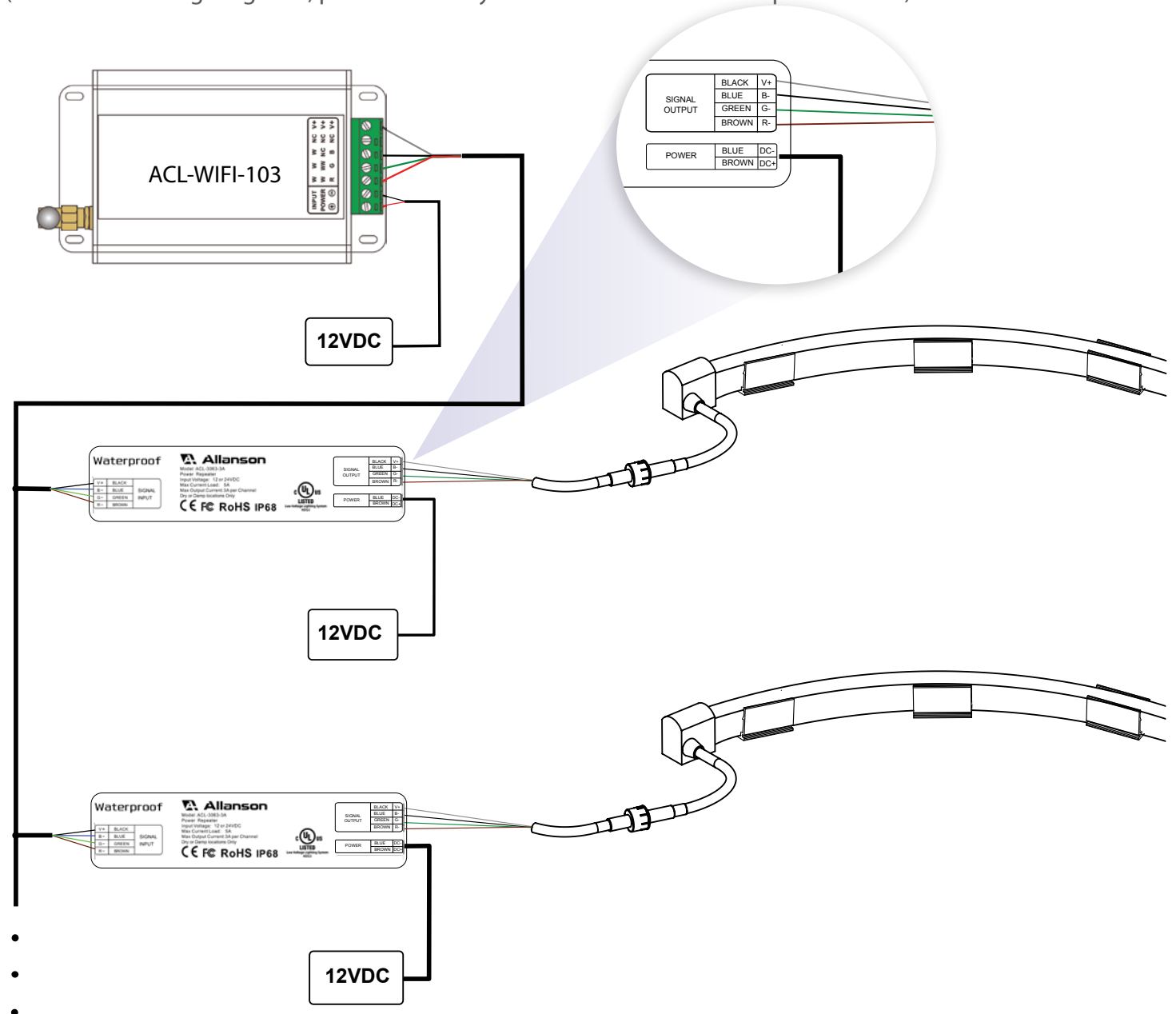
Wiring:

General wiring diagram for **standard colors:**



General wiring example for **RGB color changing options:**

(For custom wiring diagrams, please contact your local Allanson Sales Representative).



Troubleshooting:

1. Entire flexible border tubing does not light up
 - a. Ensure power switch is turned on
 - b. Confirm that Class 2 Allanson power supply is being used
 - c. Check polarity and all wiring connections (positive to positive and negative to negative)

2. Sections of flexible border tubing does not light up
 - a. Ensure product has not been bent incorrectly

3. Product seems to be too hot and too bright
 - a. Make sure the proper voltage of power supply is being used (24VDC for standard color options and 12VDC for RGB color changing options)

4. Product seems to be too dim
 - a. Make sure the proper voltage of power supply is being used (24VDC for standard color options and 12VDC for RGB color changing options)
 - b. Make sure loading does not exceed max. capacity (refer to power supply loading chart on p.1)