

StormTight II

Color Modules



Product Details

- Bright High Output Colors in **RED**, **GREEN**, **BLUE** and **YELLOW**
- Safe 12 Volt DC System
- Wide 120° viewing angle
- High density silica filled plastic for outdoor protection
- Sealed fire resistant construction for reliable, all weather operation and durability
- Metal back housing promotes better cooling and long life operation
- Operating temperature -20°C to 55°C; Storage temperature -40°C to 70°C
- Packaging: 50 in a string ,100 modules per tray, 12 trays in a master carton
- Green product



Allanson

StormTight II

Color Modules

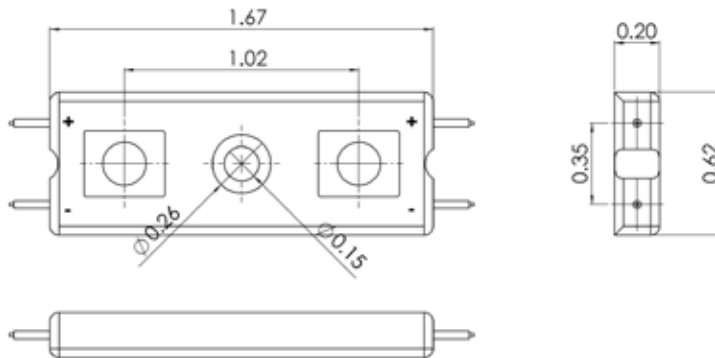
Specifications

Part number	Color	LEDs/Module	Modules /Ft	Dimensions	Lumens/Module	Lumens/ Ft	Lumens/ Watt	Watts/ Module
ACLW-RD2	Red	2	2	1.673" x 0.57" x 0.196"	13.5	27.0	28.1	0.48
ACLW-GR2	Green	2	2	1.673" x 0.57" x 0.196"	18.6	37.2	38.8	0.48
ACLW-YL2	Yellow	2	2	1.673" x 0.57" x 0.196"	17.4	34.8	36.3	0.48
ACLW-BL2	Blue	2	2	1.673" x 0.57" x 0.196"	7.7	15.4	16.0	0.48

Compatible Power Supplies

Mod/Power Supply (Max load)

CV121 (12W)	22
CV122-120 (24W)	45
CV125-120 (60W)	112
CV125-120-277 (60W)	112
CV12125-MV (2x60W)	224



For all your population services, please contact us at led@allanson.com

Visit us at www.allansonled.com

US
 Phone 1.800.559.3659
 Fax 1.615.855.0592
 Email cservice@allanson.com

CANADA
 1.800.661.7251
 1.416.752.6717



StormTightLED